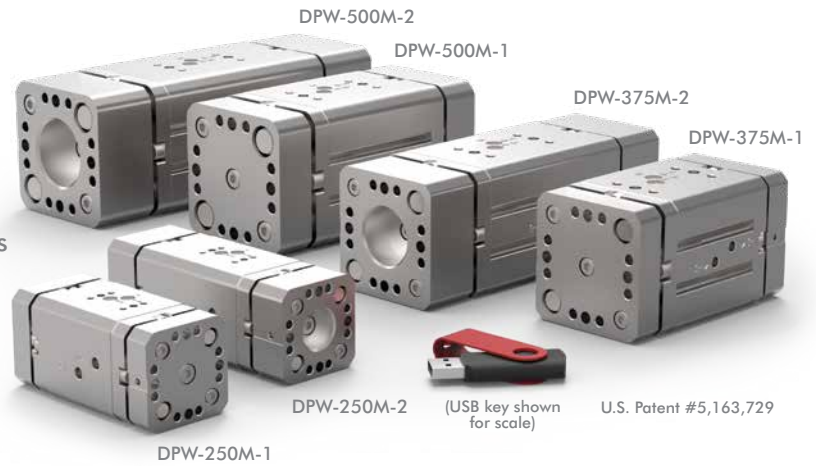


DPW SERIES

2-Jaw Heavy-Duty Parallel Grippers | Features and Benefits | How To Order

Features:

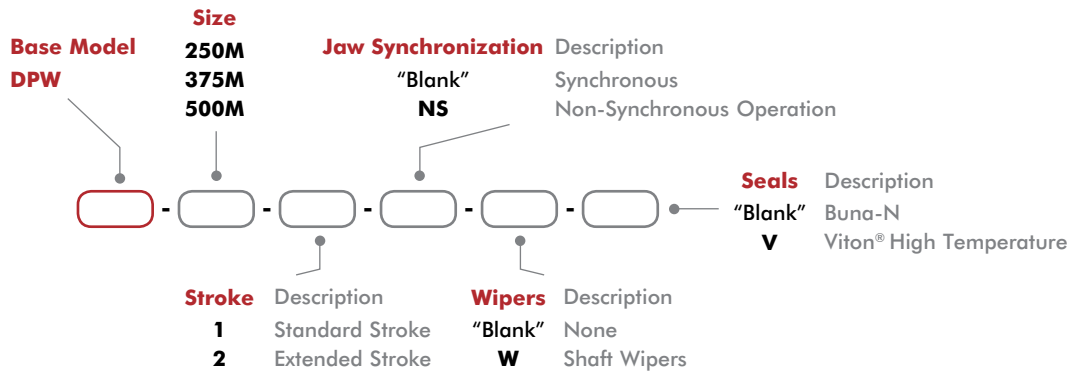
- Robust wide body gripper with DIRECTCONNECT mounting
- Grip force ranges from 222N thru 800N
- Strokes range from 19mm thru 63.5mm
- Rack and pinion design for smooth operation
- Jaws well supported to grip large and wide parts
- Multiple air ports where top ports can be manifolded
- Shaft wiper seals for harsh environments
- Optional non-synchronous jaw operation



Applications:

- Wide part gripping
- Gantry systems
- Harsh gripping environment
- Long finger applications

How To Order



Accessories

Sensor Accessories	Model Numbers	Part Number	Qty/Unit
PNP Magneto Resistive Sensor Short Barrel (with Qk. Disc.)*	All Models	OHSP-017	1-4†
NPN Magneto Resistive Sensor Short Barrel (with Qk. Disc.)*	All Models	OHSN-017	1-4†
PNP Magneto Resistive Sensor 90° Barrel (with Qk. Disc.)*	All Models	OHSP-011	1-4†
NPN Magneto Resistive Sensor 90° Barrel (with Qk. Disc.)*	All Models	OHSN-011	1-4†
PNP Inductive Sensor 3mm with Quick Disconnect*	All Models	OISP-019	1-2
NPN Inductive Sensor 3mm with Quick Disconnect.*	All Models	OISN-019	1-2
PNP Inductive Sensor 4mm with Quick Disconnect*	375M, 500M	OISP-014	1-2
NPN Inductive Sensor 4mm with Quick Disconnect*	375M, 500M	OISN-014	1-2
Quick Disconnect 2 Meter Cable Length*	All Models	CABL-010	1-4†
Quick Disconnect 5 Meter Cable Length*	All Models	CABL-013	1-4†

Pneumatic Accessories	Model Numbers	Part Number	Qty/Unit
Fail Safe Valve M5	All Models	OFSV-004	1
Adjustable Flow Control	All Models	VLVF-008	1-2

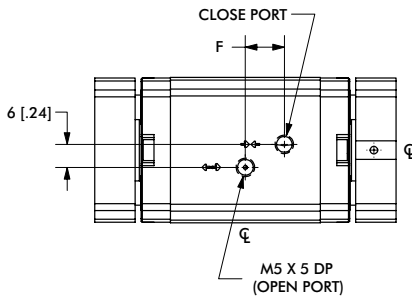
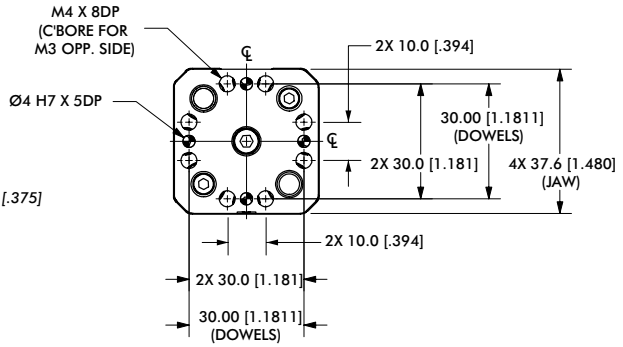
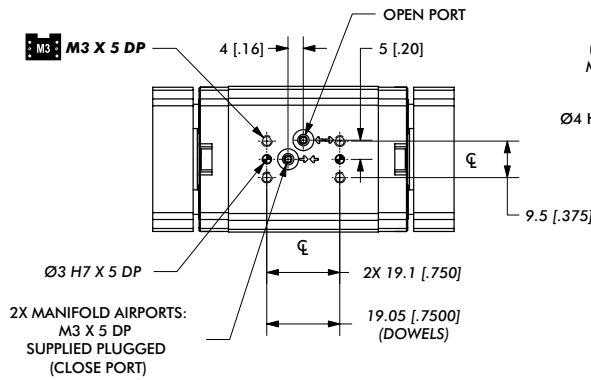
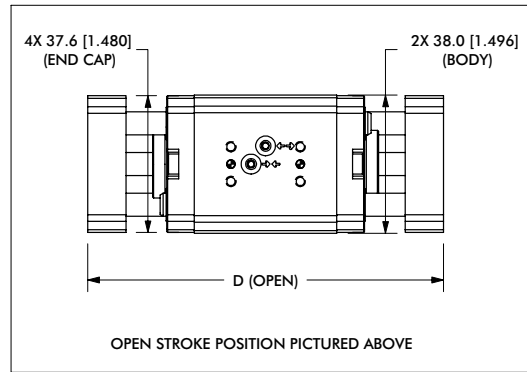
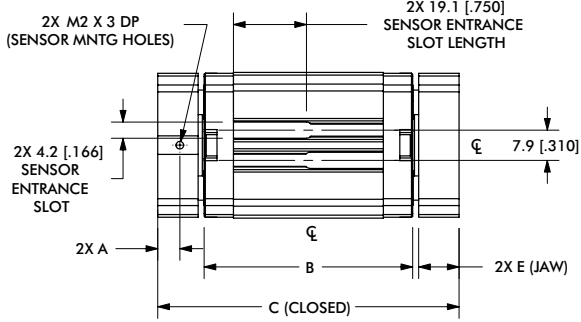
* Sensor and cable sold separately. † Except 250-1, 250-2, 1-2 only.

2-Jaw Heavy-Duty Parallel Grippers | Technical Specifications

Specifications	Units	250M-1	250M-2	375M-1	375-2
Total Rated Grip Force F @ 100 psi	N [lbs]	222 [50]		445 [100]	
Total Stroke	mm [in]	19.1 [0.75]	31.8 [1.25]	25.4 [1.00]	50.8 [2.00]
Weight	kg [lbs]	0.30 [0.66]	0.39 [0.86]	0.81 [1.80]	1.20 [2.66]
Pressure Range	bar [psi]	1.5-7 [20-100]			
Ingress Protection Class (IP)		IP66			
Displacement	cm ³ [in ³]	3.8 [0.023]	6.3 [0.383]	11.3 [0.690]	22.6 [1.382]
Temperature Range (Buna-N seals)	°C [°F]	-35°~80° [-30°~180°]			
Temperature Range (Viton® seals)	°C [°F]	-30°~150° [-20°~300°]			
Actuation	sec	0.12	0.14	0.16	0.20
Accuracy	mm [in]	±0.08 [±0.003]			
Repeatability	mm [in]	±0.03 [±0.001]			
Valve to Actuate Double Acting		4-way, 2-position			

Specifications	Units	500M-1	500M-2
Total Rated Grip Force F @ 100 psi	N [lbs]	800 [180]	
Total Stroke	mm [in]	38.1 [1.50]	63.5 [2.50]
Weight	kg [lbs]	1.48 [3.27]	2.0 [4.39]
Pressure Range	bar [psi]	1.5-7 [20-100]	
Ingress Protection Class (IP)		IP66	
Displacement	cm ³ [in ³]	30.2 [1.841]	50.3 [3.068]
Temperature Range (Buna-N seals)	°C [°F]	-35°~80° [-30°~180°]	
Temperature Range (Viton® seals)	°C [°F]	-30°~150° [-20°~300°]	
Actuation	sec	0.20	0.28
Accuracy	mm [in]	±0.08 [±0.003]	
Repeatability	mm [in]	±0.03 [±0.001]	
Valve to Actuate Double Acting		4-way, 2-position	

2-Jaw Heavy-Duty Parallel Grippers | Dimensions and Technical Specifications

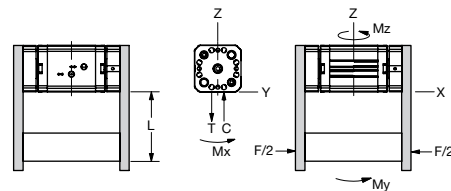
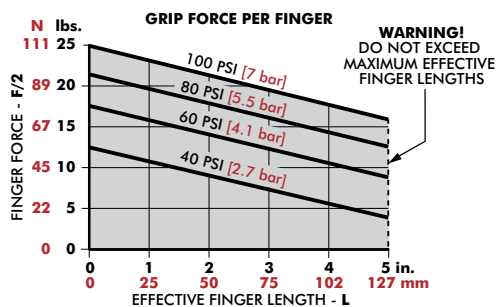


Sensor Accessories	250M
Inductive Sensor Mtg Kit (3mm or 4mm)	OSMK-116

Seal Repair Kits	250M
Buna-N Seal Repair Kit	SLKT-337
Viton® Seal Repair Kit	SLKT-337V
Viton® Manifold Seal Kit	SLKT-197V
Shaft Wiper Seal Kit	SLKT-338

Model	A	B	C	D	E	F
DPW-250M-1	5.8 [0.227]	54.4 [2.140]	79 [3.09]	98 [3.85]	10.5 [0.414]	10 [0.40]
DPW-250M-2	7.3 [0.289]	67.1 [2.640]	104 [4.09]	136 [5.35]	16.9 [0.664]	12 [0.47]

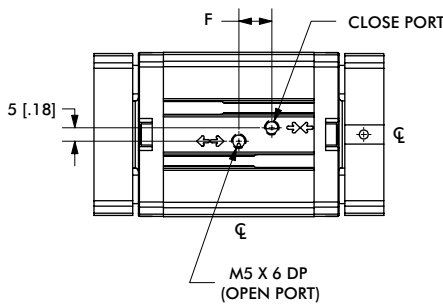
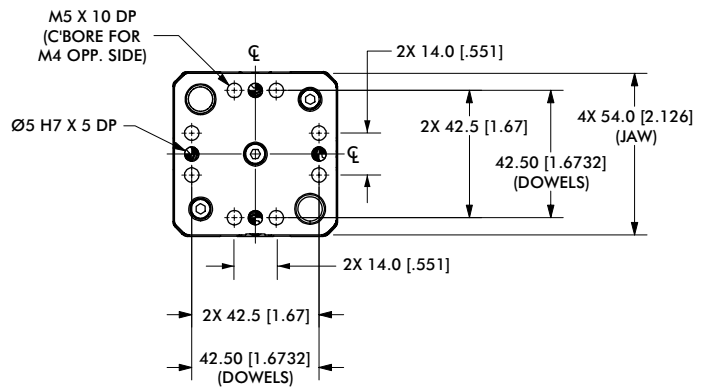
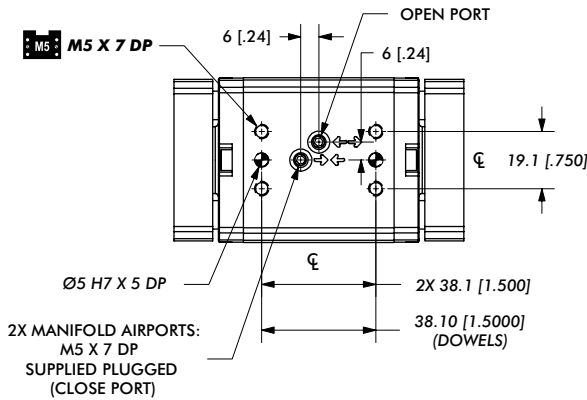
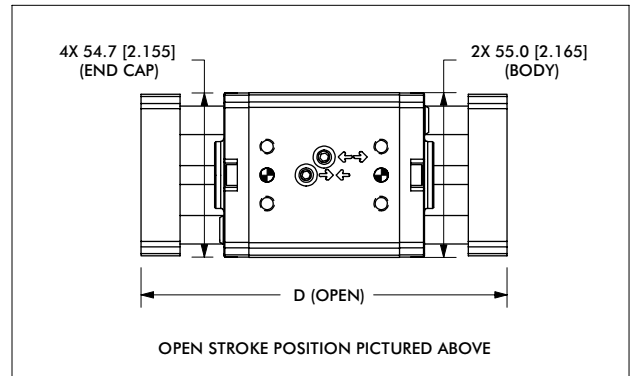
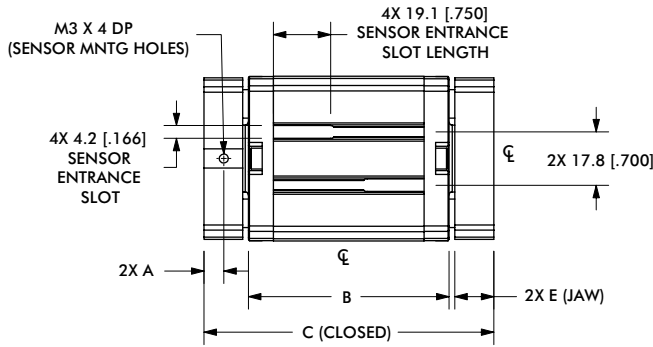
Loading Information



DPW-250M	Static	Dynamic
Maximum Tensile T	267 N [60 lbs]	53 N [12 lbs]
Maximum Compressive C	267 N [60 lbs]	53 N [12 lbs]
Maximum Moment M_x	14 Nm [120 in-lbs]	3 Nm [24 in-lbs]
Maximum Moment M_y	20 Nm [180 in-lbs]	4 Nm [36 in-lbs]
Maximum Moment M_z	14 Nm [120 in-lbs]	3 Nm [24 in-lbs]

*Capacities are per set of jaws and are not simultaneous

2-Jaw Heavy-Duty Parallel Grippers | Dimensions and Technical Specifications

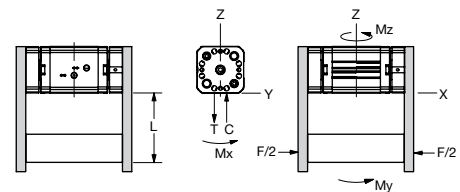
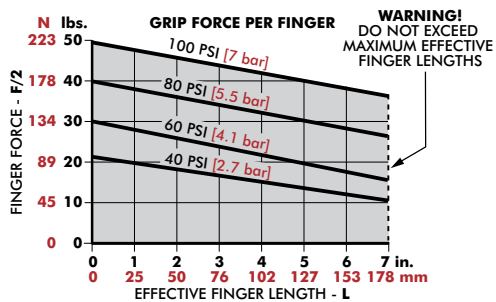


Sensor Accessories	375M
Inductive Sensor Mtg Kit (3mm or 4mm)	OSMK-117

Seal Repair Kits	375M
Buna-N Seal Repair Kit	SLKT-339
Viton® Seal Repair Kit	SLKT-339V
Viton® Manifold Seal Kit	SLKT-199V
Shaft Wiper Seal Kit	SLKT-340

Model	A	B	C	D	E	F
DPW-375M-1	6.7 [0.262]	67.1 [2.640]	97 [3.81]	122 [4.81]	13.0 [0.512]	11 [0.43]
DPW-375M-2	11.7 [0.462]	92.5 [3.640]	147 [5.81]	198 [7.81]	25.7 [1.012]	12 [0.47]

Loading Information

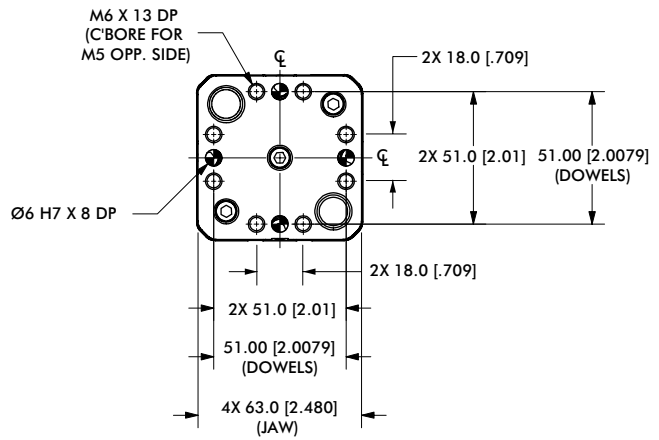
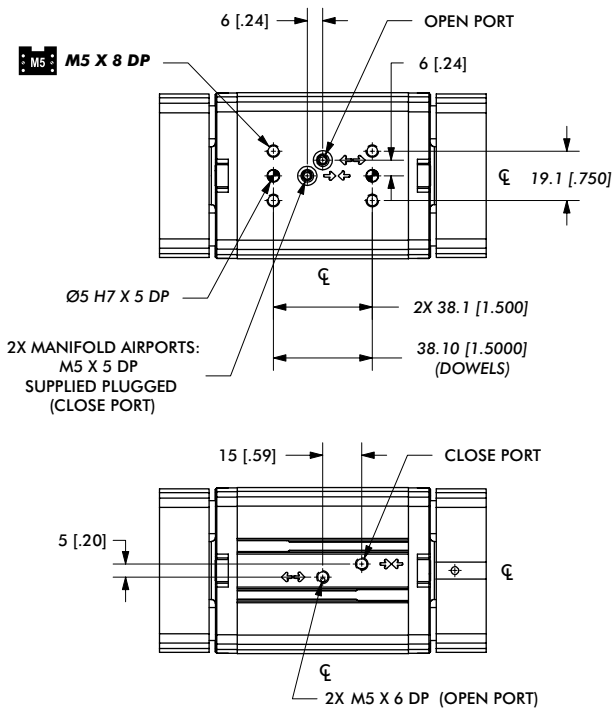
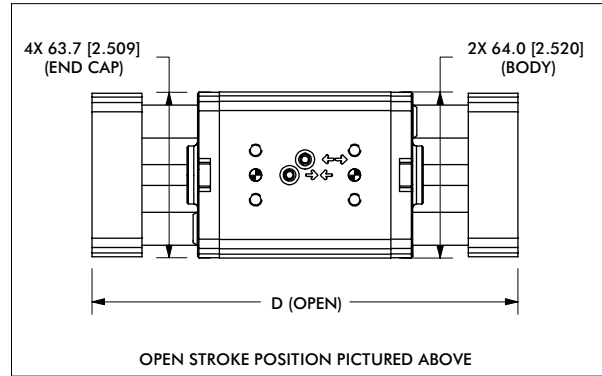
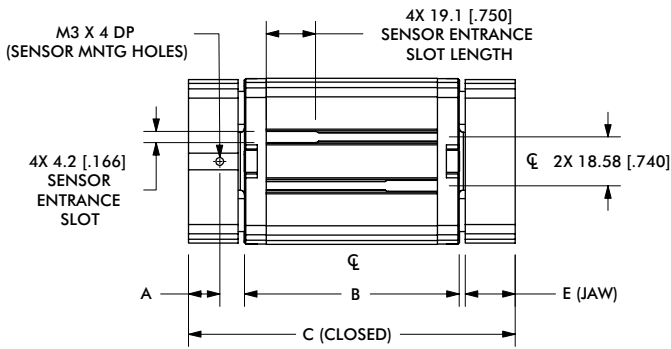


DPW-375M	Static	Dynamic
Maximum Tensile T	534 N [120 lbs]	107 N [24 lbs]
Maximum Compressive C	534 N [120 lbs]	107 N [24 lbs]
Maximum Moment M_x	24 Nm [210 in-lbs]	5 Nm [42 in-lbs]
Maximum Moment M_y	34 Nm [300 in-lbs]	7 Nm [60 in-lbs]
Maximum Moment M_z	24 Nm [210 in-lbs]	5 Nm [42 in-lbs]

*Capacities are per set of jaws and are not simultaneous

DPW-500M

2-Jaw Heavy-Duty Parallel Grippers | Dimensions and Technical Specifications

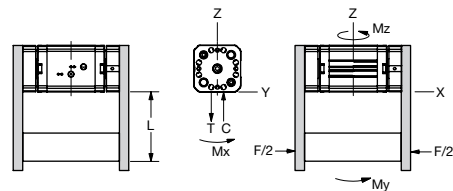
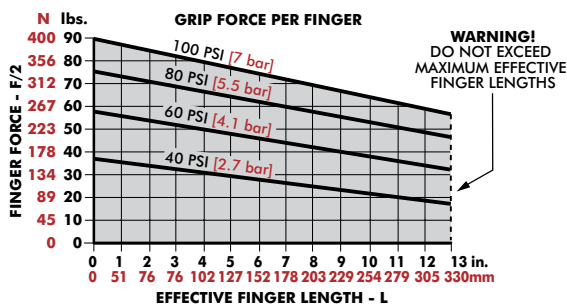


Model	A	B	C	D	E
DPW-500M-1	12.1 [0.475]	82.8 [3.260]	125 [4.96]	164 [6.46]	19.2 [0.755]
DPW-500M-2	14.9 [0.585]	108.2 [4.260]	177 [6.96]	240 [9.46]	31.9 [1.255]

Sensor Accessories	500M
Inductive Sensor Mtg Kit (3mm or 4mm)	OSMK-118

Seal Repair Kits	500M
Buna-N Seal Repair Kit	SLKT-341
Viton® Seal Repair Kit	SLKT-341V
Viton® Manifold Seal Kit	SLKT-199V
Shaft Wiper Seal Kit	SLKT-342

Loading Information



DPW-500M	Static	Dynamic
Maximum Tensile T	2668 N [600 lbs]	267 N [60 lbs]
Maximum Compressive C	2668 N [600 lbs]	267 N [60 lbs]
Maximum Moment M_x	68 Nm [600 in-lbs]	7 Nm [60 in-lbs]
Maximum Moment M_y	102 Nm [900 in-lbs]	10 Nm [90 in-lbs]
Maximum Moment M_z	68 Nm [600 in-lbs]	7 Nm [60 in-lbs]

[†]Capacities are per set of jaws and are not simultaneous

