

RUA SERIES

Angular Grippers | Features and Benefits | How To Order

Features:

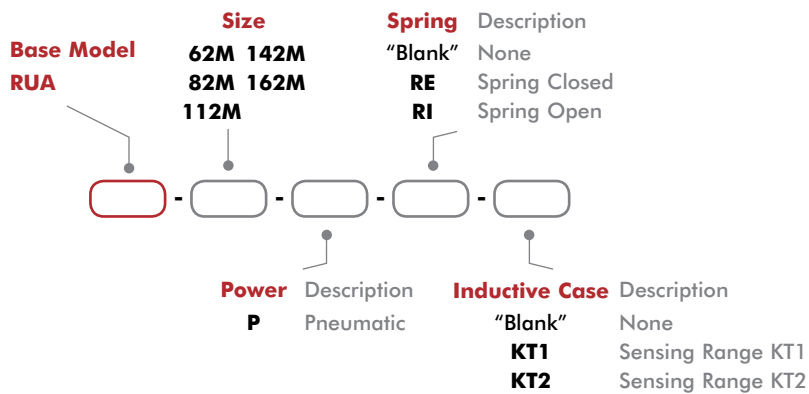
- Robust, shielded, high force gripper
- Optional springs for part retention in case of air loss or increased grip-force
- Side or top manifold air ports
- Viton® seals included for high temperatures -30°C to +150°C [-20°F to +300°F]
- Boot options available for weld splatter applications

Applications:

- Welding and sandblasting applications
- Paintbooth applications
- Heavy part gripping solutions



How To Order



Accessories

Sensor Accessories	Model Numbers	Part Number	Qty/Unit
NPN Magneto Resistive Sensor with Quick Disconnect* **	62M, 82M, 112M	OHSN-017	1-2
PNP Magneto Resistive Sensor with Quick Disconnect* **	62M, 82M, 112M	OHSP-017	1-2
NPN Magneto Resistive Sensor 90° with Quick Disconnect* **	62M, 82M, 112M	OHSN-011	1-2
PNP Magneto Resistive Sensor 90° with Quick Disconnect* **	62M, 82M, 112M	OHSP-011	1-2
Replacement PNP Double Inductive Sensor* †	All Models	KT15	1
Quick Disconnect 2 Meter Cable Length*	62M, 82M, 112M	CABL-010	1-2
Quick Disconnect 5 Meter Cable Length*	62M, 82M, 112M	CABL-013	1-2
Quick Disconnect 2 Meter Cable Length (for KT Inductive Sensor)*	All Models	CABL-014	1-2

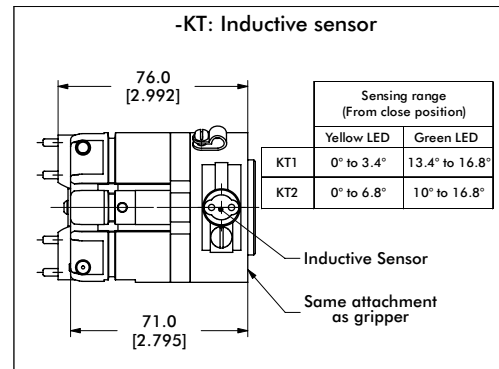
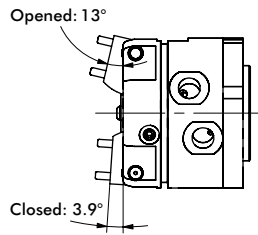
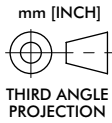
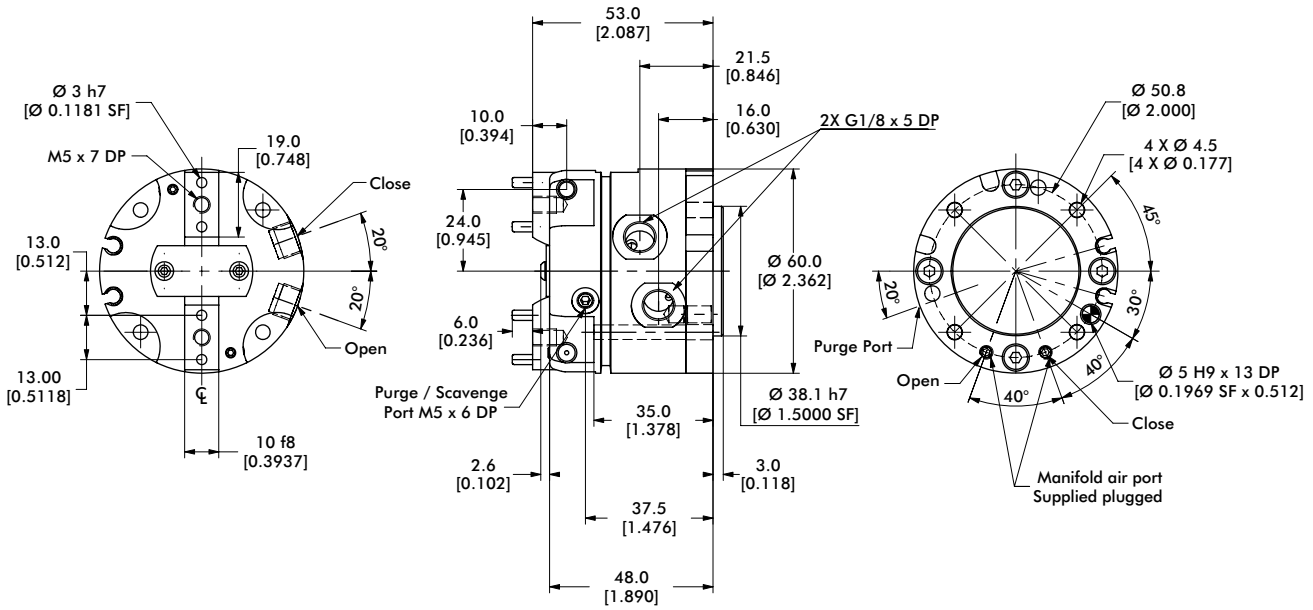
* Sensor and cable sold separately. ** Piston magnet standard. † Requires KT1 or KT2 sensor option.

Specifications	Units	62M	82M	112M
Total Rated Grip Force L=25mm [1 in.] @ 0°				
@ 7 bar [100 psi], w/spring	N [lbs]	384 [86]	1228 [276]	2150 [483]
@ 7 bar [100 psi], w/o spring	N [lbs]	313 [70]	922 [207]	1600 [360]
Total Stroke		16.8° (per finger)	15.9° (per finger)	19.1° (per finger)
Weight	kg [lbs]	0.39 [0.86]	0.70 [1.55]	1.70 [3.75]
Pressure Range without springs	bar [psi]	2-7 [30-100]		
Pressure Range with springs -RE, -RI	bar [psi]	3-7 [45-100]		
Ingress Protection Class (IP)		IP54		
Displacement	cm ³ [in ³]	12 [0.73]	35 [2.14]	85 [5.19]
Temperature Range (Viton® seals standard)	°C [°F]	-30°~150° [-20°~300°]		
Actuation	sec	0.18	0.10	0.35
Accuracy	mm [in]	±0.05 [±0.002]		±0.08 [±0.003]
Repeatability	mm [in]	±0.02 [±0.0008]		±0.03 [±0.0008]
Valve to Required Actuate Single Acting		3-way, 2-position		
Valve to Required Actuate Double Acting		4-way, 2-position		

Specifications	Units	142M	162M
Total Rated Grip Force L=25mm [1 in.] @ 0°			
@ 7 bar [100 psi], w/spring	N [lbs]	5775 [1298]	5490 [1234]
@ 7 bar [100 psi], w/o spring	N [lbs]	3941 [886]	3790 [853]
Total Stroke		17.6° (per finger)	17.2° (per finger)
Weight	kg [lbs]	4.1 [9.05]	6.7 [14.8]
Pressure Range without springs	bar [psi]	2-7 [30-100]	
Pressure Range with springs -RE, -RI	bar [psi]	4-7 [60-100]	
Ingress Protection Class (IP)		IP54	
Displacement	cm ³ [in ³]	215 [13.2]	322 [19.7]
Temperature Range (Viton® seals standard)	°C [°F]	-30°~150° [-20°~300°]	
Actuation	sec	0.60	0.80
Accuracy	mm [in]	±0.8 [±0.003]	
Repeatability	mm [in]	±0.03 [±0.0008]	
Valve to Required Actuate Single Acting		3-way, 2-position	
Valve to Required Actuate Double Acting		4-way, 2-position	

RUA-62M

Angular Grippers | Dimensions and Technical Specifications



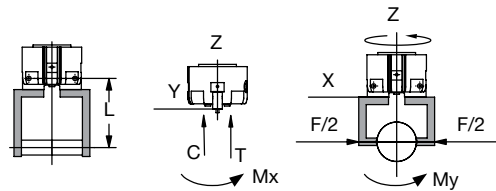
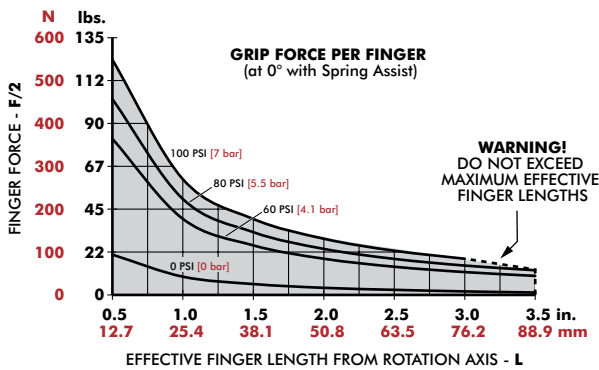
Protective Boots

	Order #
PVC Sealed Boot Kit (2 interfaces, 1 collar, 1 boot)	SLKT-367
Kevlar Sealed Boot Kit (2 interfaces, 1 collar, 1 boot)	SLKT-368

Seal Repair Kits

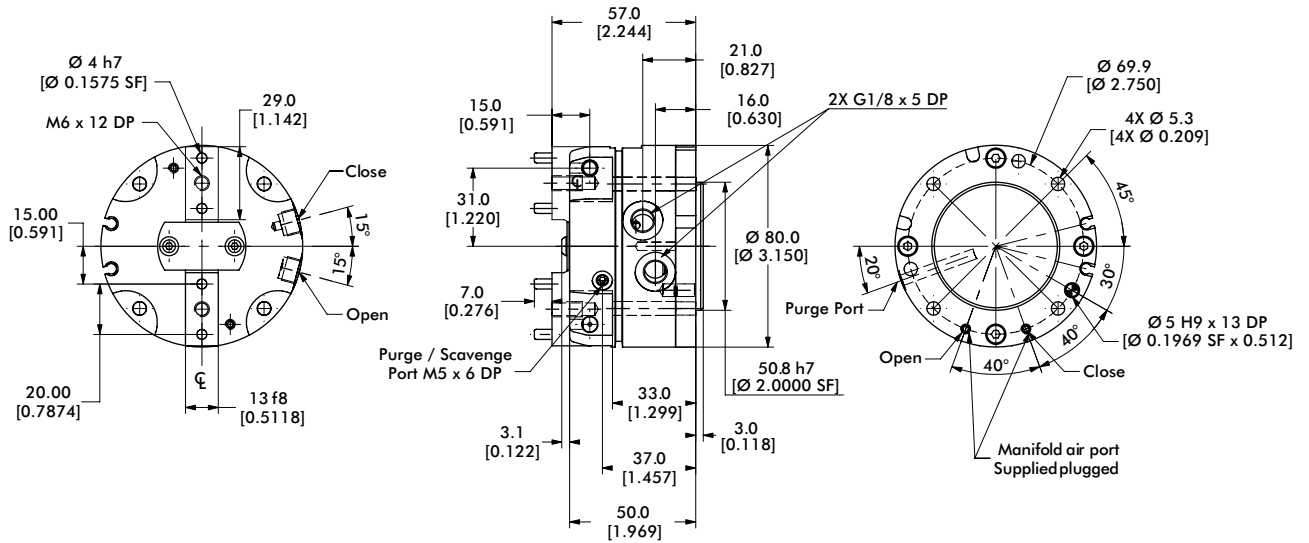
	Order #
Viton® Seal Repair Kit (Pneumatic)	SLKT-156V

Loading Information

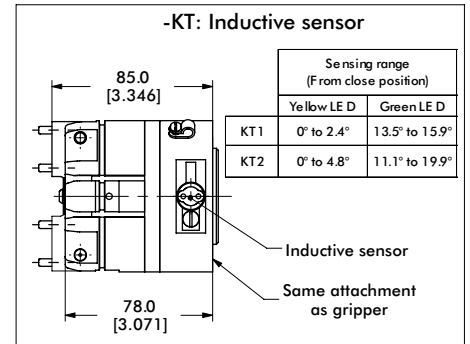
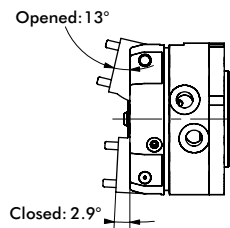


RUA-62M	Static
Maximum Tensile T	236 N [53 lbs]
Maximum Compressive C	236 N [53 lbs]
Maximum Moment M_x	12.5 Nm [111 in-lbs]
Maximum Moment M_y	34.5 Nm [305 in-lbs]
Maximum Moment M_z	12.5 Nm [111 in-lbs]

ⁱCapacities are per set of jaws and are not simultaneous



mm [INCH]
THIRD ANGLE PROJECTION



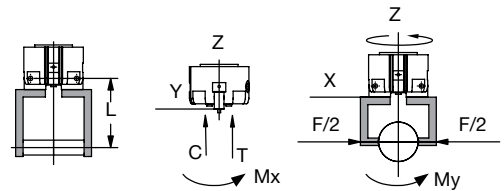
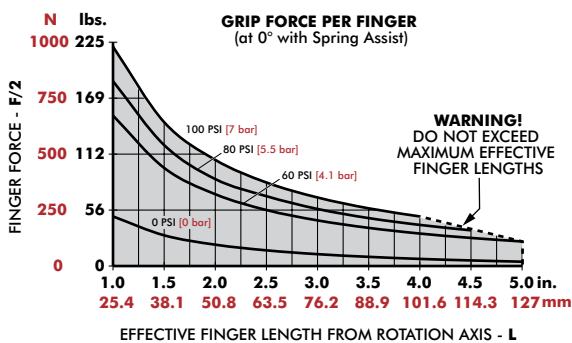
Protective Boots

Protective Boots	Order #
PVC Sealed Boot Kit (2 interfaces, 1 collar, 1 boot)	SLKT-370
Kevlar Sealed Boot Kit (2 interfaces, 1 collar, 1 boot)	SLKT-371

Seal Repair Kits

Seal Repair Kits	Order #
Viton® Seal Repair Kit (Pneumatic)	SLKT-157V

Loading Information

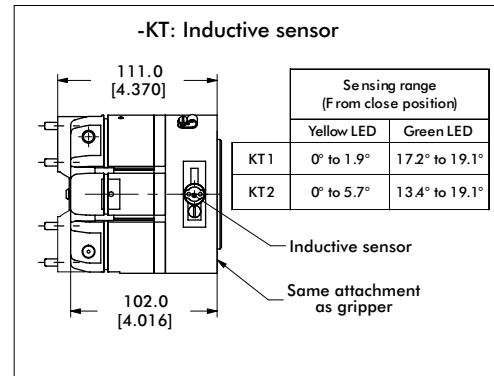
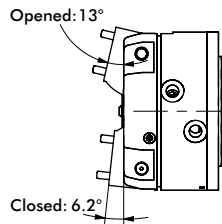
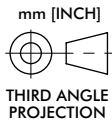
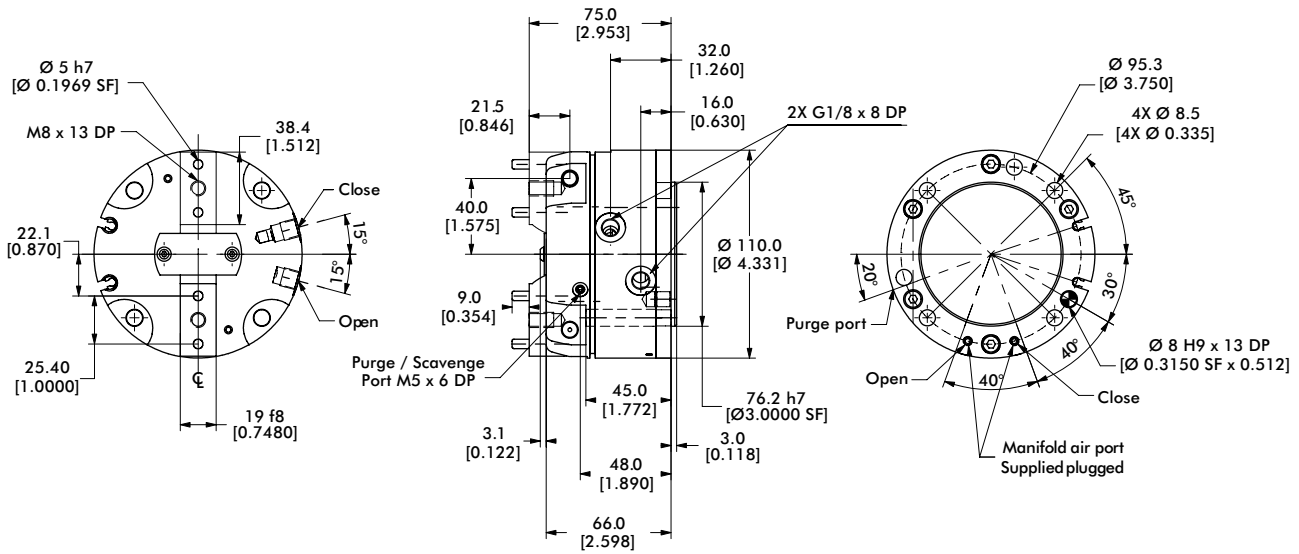


RUA-82M	Static
Maximum Tensile T	290 N [65 lbs]
Maximum Compressive C	290 N [65 lbs]
Maximum Moment M_x	19 Nm [168 in-lbs]
Maximum Moment M_y	121 Nm [1071 in-lbs]
Maximum Moment M_z	19 Nm [168 in-lbs]

[†]Capacities are per set of jaws and are not simultaneous

RUA-112M

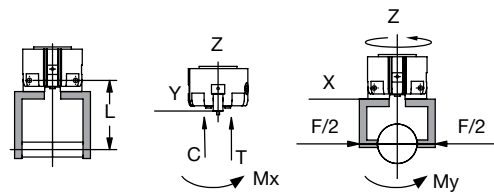
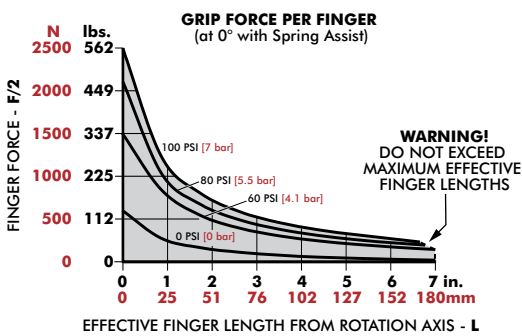
Angular Grippers | Dimensions and Technical Specifications



Protective Boots	Order #
PVC Sealed Boot Kit (2 interfaces, 1 collar, 1 boot)	SLKT-373

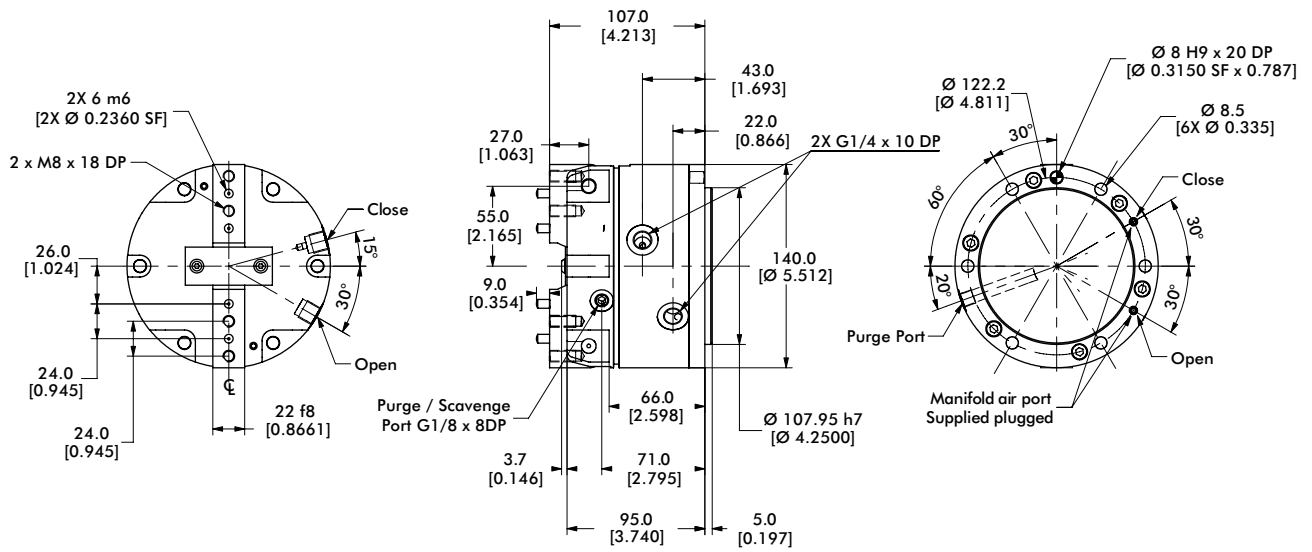
Seal Repair Kits	Order #
Viton® Seal Repair Kit (Pneumatic)	SLKT-158V

Loading Information

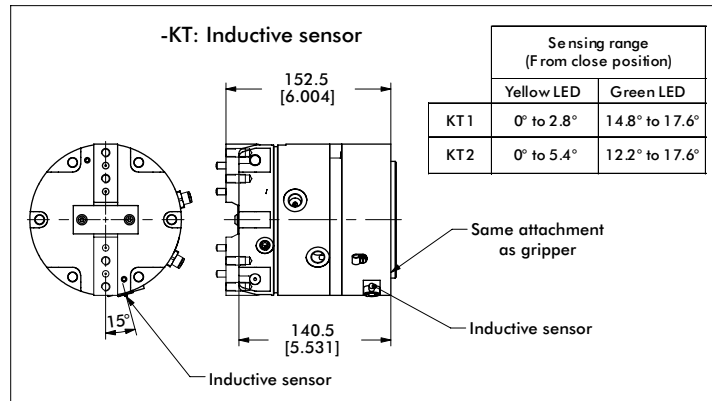
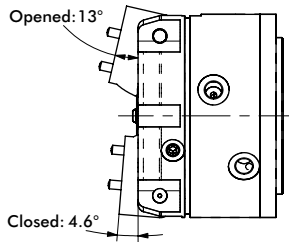


RUA-112M	Static
Maximum Tensile T	290 N [65 lbs]
Maximum Compressive C	290 N [65 lbs]
Maximum Moment M_x	19 Nm [168 in-lbs]
Maximum Moment M_y	121 Nm [1071 in-lbs]
Maximum Moment M_z	19 Nm [168 in-lbs]

*Capacities are per set of jaws and are not simultaneous



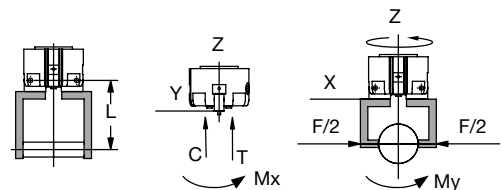
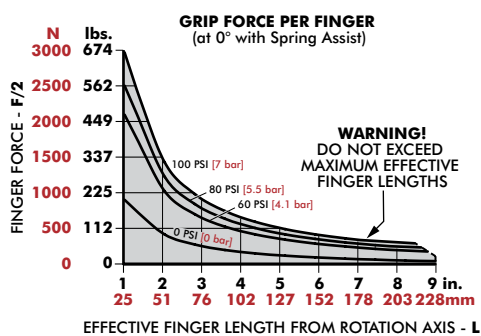
mm [INCH]
THIRD ANGLE PROJECTION



Protective Boots Order #
PVC Sealed Boot Kit (2 interfaces, 1 collar, 1 boot) SLKT-376

Seal Repair Kits Order #
Viton® Seal Repair Kit (Pneumatic) SLKT-333V

Loading Information

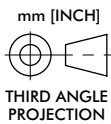
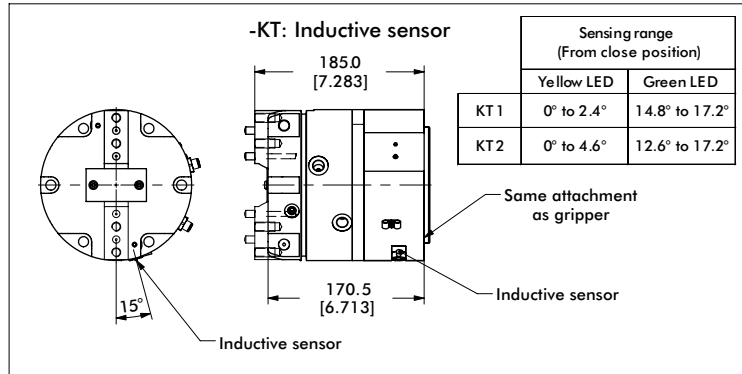
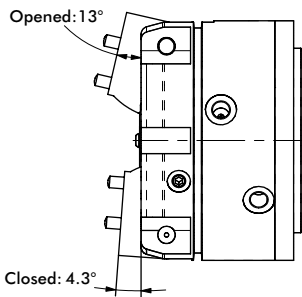
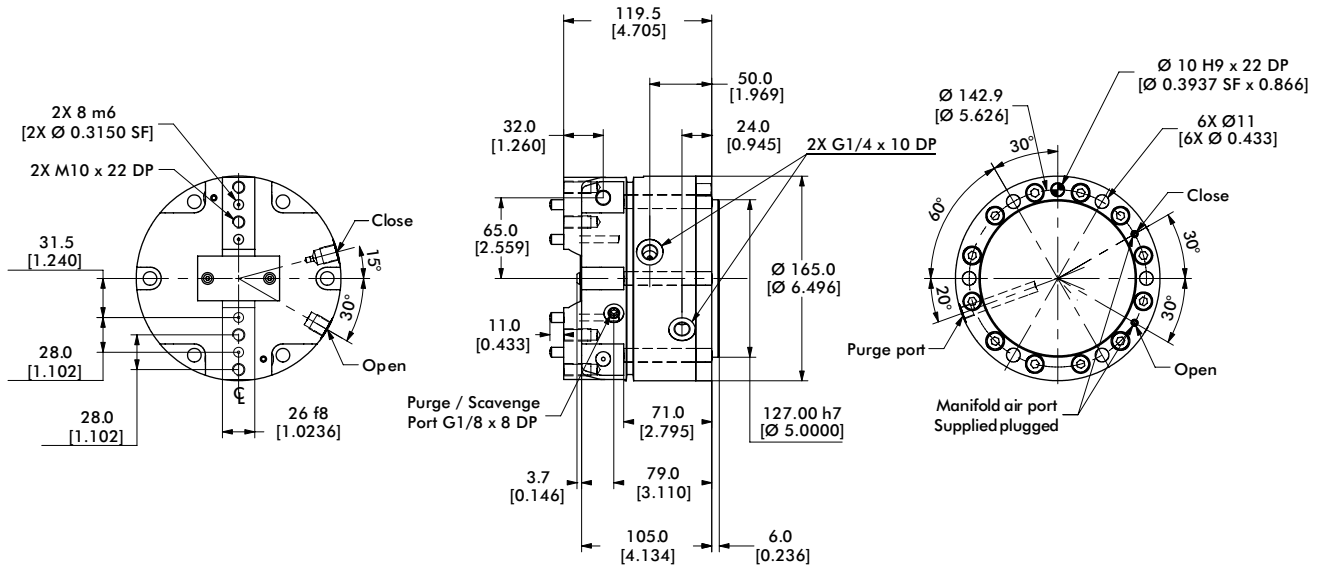


RUA-142M	Static
Maximum Tensile T	630 N [142 lbs]
Maximum Compressive C	630 N [142 lbs]
Maximum Moment M_x	52 Nm [460 in-lbs]
Maximum Moment M_y	696 Nm [6160 in-lbs]
Maximum Moment M_z	52 Nm [460 in-lbs]

[†]Capacities are per set of jaws and are not simultaneous

RUA-162M

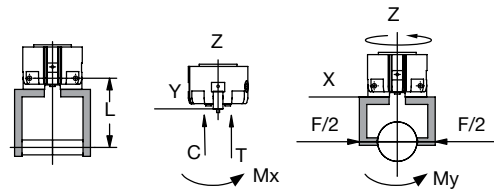
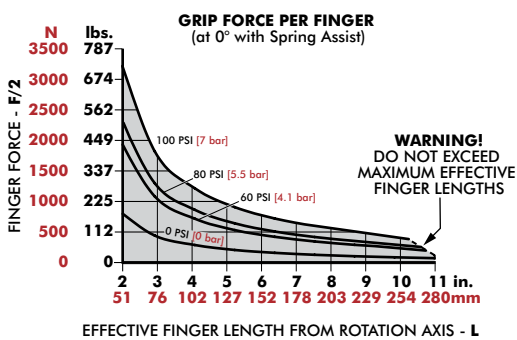
Angular Grippers | Dimensions and Technical Specifications



Protective Boots	Order #
PVC Sealed Boot Kit (2 interfaces, 1 collar, 1 boot)	SLKT-379

Seal Repair Kits	Order #
Viton® Seal Repair Kit (Pneumatic)	SLKT-335V

Loading Information



RUA-162M	Static
Maximum Tensile T	840 N [189 lbs]
Maximum Compressive C	840 N [189 lbs]
Maximum Moment M_x	75 Nm [664 in-lbs]
Maximum Moment M_y	1050 Nm [9293 in-lbs]
Maximum Moment M_z	75 Nm [664 in-lbs]

*Capacities are per set of jaws and are not simultaneous

